



LUXPOINT® LED Floodlight - Kämpig

Datasheet



CE IP65 IK08

The Kämpig series LED floodlight is a high-performance lighting solution designed for outdoor spaces. With its superior brightness and uniform illumination, it effortlessly enhances security and creates a captivating ambiance. The Kämpig series features a durable construction, ensuring long-lasting reliability. Its adjustable design allows for flexible lighting angles, catering to specific needs. Experience the exceptional brightness and efficiency of the Kämpig series LED floodlight, an ideal choice for both residential and commercial applications.

Benefits

- Power available from 10W to 150W
- Energy Efficiency
- Versatility of Size
- Wide Range of Application
- High protection rating

Applications

- Parking
- School
- Station
- Garden
- Warehouse
- Airport
- Factory
- Arena

LUXPOINT® LED Floodlight - Kämpig

Technical Data

Optical Specifications

Wattage		10W	20W	30W	50W	100W	150W
Luminous Flux @CCT	3000K	1100lm	2200lm	3300lm	5500lm	11000lm	15000lm
	4000K	1150lm	2300lm	3450lm	5750lm	11500lm	17250lm
	6500K	1150lm	2300lm	3450lm	5750lm	11500lm	17250lm
Total luminous flux of contained light sources @CCT	3000K	1150lm	2300lm	3450lm	5750lm	11500lm	17250lm
	4000K	1250lm	2500lm	3750lm	6250lm	12500lm	18750lm
	6500K	1250lm	2500lm	3750lm	6250lm	12500lm	18750lm
Efficacy		110-115lm/W					
Flickering metric (Pst LM)		<1					
Stroboscope effect metric (SVM)		<0.4					
CRI		≥80					
SDCM		< 6					
Beam Angle		100°					
Photobiological safety group acc. To EN62778		RG0					
Photobiological safety group acc. To EN62471		RG0					
Dimmable		No					

Electrical and Mechanical Specifications

Input Voltage		220-240V ~50/60Hz					
Nominal Current		48mA	97mA	145mA	242mA	483mA	725mA
Inrush current time Th50		180µs@25A	520µs@25A	460µs@25A	560µs@25A	600µs@25A	500µs@25A
Power Factor		0.9	0.9	0.9	0.9	0.9	0.9
Max. number of luminaires per miniature circuit breaker	B16	676	216	209	89	63	82
	C10	703	224	217	92	65	85
	C16	1149	367	355	151	107	139
Protection class		Class I	Class I	Class I	Class I	Class I	Class I
Dimensions		L 128mm	L 153mm	L 185.5mm	L 223.8mm	L 278.8mm	L 340.5mm
		W 120.4mm	W 144mm	W 168mm	W 204.5mm	W 258mm	W 318mm
		H 31mm	H 31.2mm	H 32mm	H 32mm	H 33.2mm	H 33.2mm
Weight		230g	330g	490g	720g	1170g	1740g
Housing		Die-cast aluminum					
Diffuser		Tempered glass					
Replaceable light source		No					
Replaceable Control gear		No					
Glow wire test according to IEC60695-2-12		650°C					

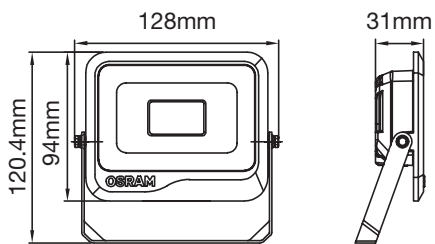
System Specifications

Power	AC mains
Operating Temperature	-10°C ~ 45°C
Storage Temperature	-20°C ~ 60°C
Lifespan L70/B50 at 45°C	25,000 hours
Lifespan L70/B50 at 25°C	50,000 hours
Number of switching cycles	50,000
Environment	Outdoor
Ingress Protection	IP65
Impact Resistance	IK08
Safety Approval	CE, RoHS
Mercury content	0.0mg
Warranty	3 years

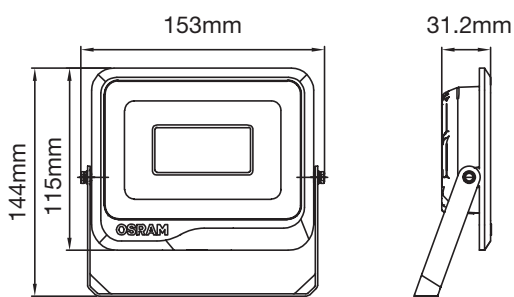
LUXPOINT® LED Floodlight - Kämpig

Dimension

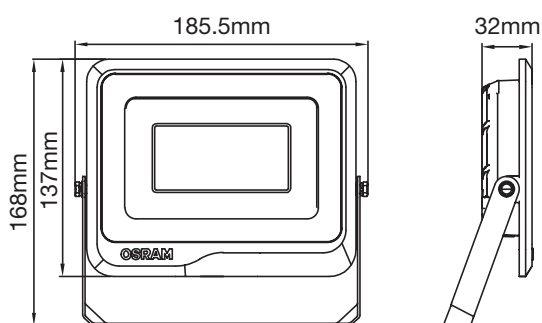
10W



20W



30W



Due to the special conditions of manufacturing process of LED, the typical data of technical parameters can only reflect statistical figures and do not necessarily correspond to the actual parameters of each single product which could differ from typical data.

Exceeding maximum ratings for operation voltage will cause hazardous overload and will likely destroy the LED module.

Exceeding maximum ratings for operation and storage temperature will reduce expected life time or destroy the LED module.

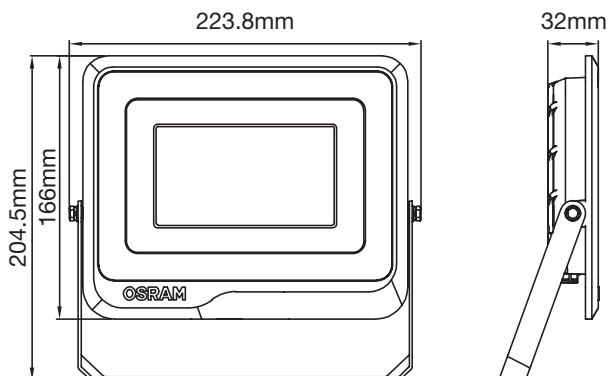
V1.0 09/23- Official authorized licensee of the OSRAM trademark.

Specifications are subject to change without notice. Errors and omission excepted, always make sure to use the most recent release.

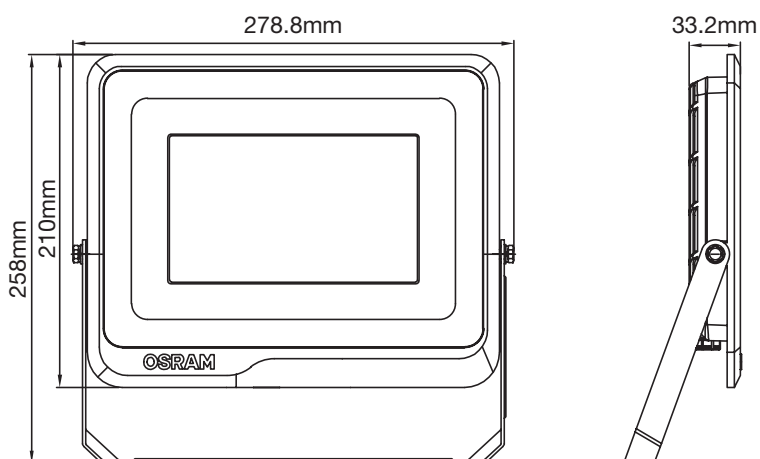
LUXPOINT® LED Floodlight - Kämpig

Dimension

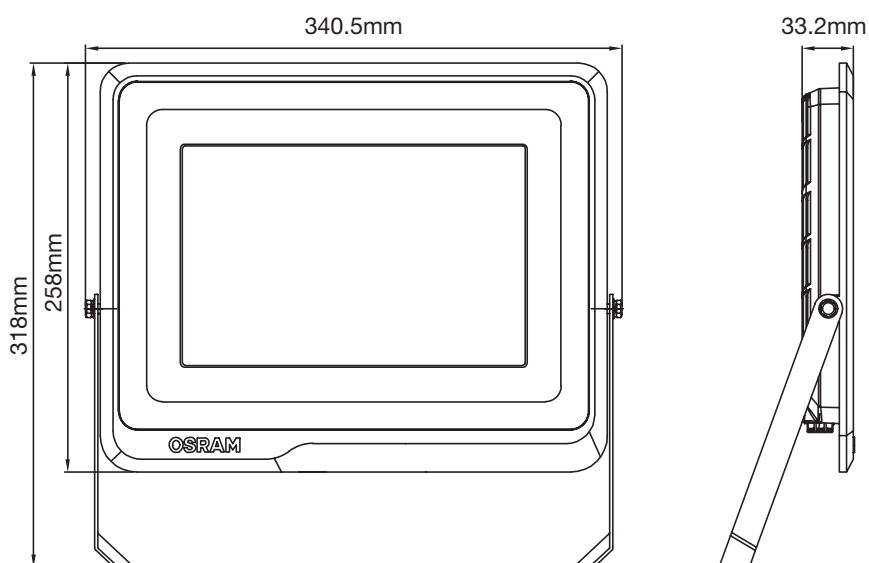
50W



100W



150W



LUXPOINT® LED Floodlight - Kämpig

Ordering codes

Fixture

Short Text	Wattage	CCT	Fixture Lumen	Light Source Lumen	Beam angle	Item code	EAN-13
LP FL 10W 830 SF BL	10W	3000K	1100lm	1150lm	100°	GL24100554155	4897135733189
LP FL 10W 840 SF BL	10W	4000K	1150lm	1250lm	100°	GL24100554255	4897135733196
LP FL 10W 865 SF BL	10W	6500K	1150lm	1250lm	100°	GL24100554355	4897135733202
LP FL 10W 830 SF WH	10W	3000K	1100lm	1150lm	100°	GL24100554455	4897135733219
LP FL 10W 840 SF WH	10W	4000K	1150lm	1250lm	100°	GL24100554555	4897135733226
LP FL 10W 865 SF WH	10W	6500K	1150lm	1250lm	100°	GL24100554655	4897135733233
LP FL 20W 830 SF BL	20W	3000K	2200lm	2300lm	100°	GL24100554755	4897135733240
LP FL 20W 840 SF BL	20W	4000K	2300lm	2500lm	100°	GL24100554855	4897135733257
LP FL 20W 865 SF BL	20W	6500K	2300lm	2500lm	100°	GL24100554955	4897135733264
LP FL 20W 830 SF WH	20W	3000K	2200lm	2300lm	100°	GL24100555055	4897135733271
LP FL 20W 840 SF WH	20W	4000K	2300lm	2500lm	100°	GL24100555155	4897135733288
LP FL 20W 865 SF WH	20W	6500K	2300lm	2500lm	100°	GL24100555255	4897135733295
LP FL 30W 830 SF BL	30W	3000K	3300lm	3450lm	100°	GL24100555355	4897135733301
LP FL 30W 840 SF BL	30W	4000K	3450lm	3750lm	100°	GL24100555455	4897135733318
LP FL 30W 865 SF BL	30W	6500K	3450lm	3750lm	100°	GL24100555555	4897135733325
LP FL 30W 830 SF WH	30W	3000K	3300lm	3450lm	100°	GL24100555655	4897135733332
LP FL 30W 840 SF WH	30W	4000K	3450lm	3750lm	100°	GL24100555755	4897135733349
LP FL 30W 865 SF WH	30W	6500K	3450lm	3750lm	100°	GL24100555855	4897135733356
LP FL 50W 830 SF BL	50W	3000K	5500lm	5750lm	100°	GL24100555955	4897135733363
LP FL 50W 840 SF BL	50W	4000K	5750lm	6250lm	100°	GL24100556055	4897135733370
LP FL 50W 865 SF BL	50W	6500K	5750lm	6250lm	100°	GL24100556155	4897135733387
LP FL 50W 830 SF WH	50W	3000K	5500lm	5750lm	100°	GL24100556255	4897135733394
LP FL 50W 840 SF WH	50W	4000K	5750lm	6250lm	100°	GL24100556355	4897135733400
LP FL 50W 865 SF WH	50W	6500K	5750lm	6250lm	100°	GL24100556455	4897135733417
LP FL 100W 830 SF BL	100W	3000K	11000lm	11500lm	100°	GL24100556555	4897135733424
LP FL 100W 840 SF BL	100W	4000K	11500lm	12500lm	100°	GL24100556655	4897135733431
LP FL 100W 865 SF BL	100W	6500K	11500lm	12500lm	100°	GL24100556755	4897135733448
LP FL 100W 830 SF WH	100W	3000K	11000lm	11500lm	100°	GL24100556855	4897135733455
LP FL 100W 840 SF WH	100W	4000K	11500lm	12500lm	100°	GL24100556955	4897135733462
LP FL 100W 865 SF WH	100W	6500K	11500lm	12500lm	100°	GL24100557055	4897135733479
LP FL 150W 830 SF BL	150W	3000K	16500lm	17250lm	100°	GL24100557155	4897135733486
LP FL 150W 840 SF BL	150W	4000K	17250lm	18750lm	100°	GL24100557255	4897135733493
LP FL 150W 865 SF BL	150W	6500K	17250lm	18750lm	100°	GL24100557355	4897135733509
LP FL 150W 830 SF WH	150W	3000K	16500lm	17250lm	100°	GL24100557455	4897135733516
LP FL 150W 840 SF WH	150W	4000K	17250lm	18750lm	100°	GL24100557555	4897135733523
LP FL 150W 865 SF WH	150W	6500K	17250lm	18750lm	100°	GL24100557655	4897135733530