
LUXPOINT® Emergency Downlight - Werner Datasheet



The Emergency Downlight is a high-quality lighting fixture specifically designed for emergencies. It combines functionality, durability, and ease of use to provide reliable illumination when it matters most. Available in two types, Maintain and Non-Maintain, this recessed downlight offers exceptional performance, flexibility, and dependability in emergency lighting situations. Choose this lighting solution for peace of mind, knowing that you have a reliable and versatile option for emergency illumination.”

Benefits

- Flexibility and Convenience
- Precise and efficient
- Enhanced Safety
- Energy-Efficient
- Easy Installation & Maintenance

Applications

- Commercial buildings
- Offices
- Retail spaces
- Corridors
- Stairwells
- Public spaces

LUXPOINT® Emergency Downlight - Werner

Technical Data

Optical Specifications

Wattage	1H	0.5W	0.5W	0.5W	1W	1.3W	1.8W
	3H	0.5W	1W	1.2W	2W	2.5W	3W
Luminous Flux		70lm	100lm	150lm	200lm	300lm	400lm
CCT		6500K					
CRI		80					
SDCM		<6 SDCM					

Electrical and Mechanical Specifications

Input Voltage		220-240V~ 50/60Hz					
Dimensions		Ø84mm x 23mm					
Weight	1H	236g	266g	263g	335g	341g	404g
	3H	266g	329g	338g	445g	545g	584g
Housing		PC					
Diffuser		PC					

System Specifications

Power	AC mains
Function	Non-maintained / Maintained by wiring
Control	Non self-test / Self-test
Installation	Recessed
CHarging Time	24H
Duration	1H / 3H
Operating Temperature	0°C ~ 40°C
Storage Temperature	-10°C ~ 60°C
Environment	Indoor
Safety Approval	Electrical Protection Class II, CE, RoHS
Battery	Ni-Cd

Due to the special conditions of manufacturing process of LED, the typical data of technical parameters can only reflect statistical figures and do not necessarily correspond to the actual parameters of each single product which could differ from typical data.

Exceeding maximum ratings for operation voltage will cause hazardous overload and will likely destroy the LED module.

Exceeding maximum ratings for operation and storage temperature will reduce expected life time or destroy the LED module.

V1.0 09/23- Official authorized licensee of the OSRAM trademark.

Specifications are subject to change without notice. Errors and omission excepted, always make sure to use the most recent release.

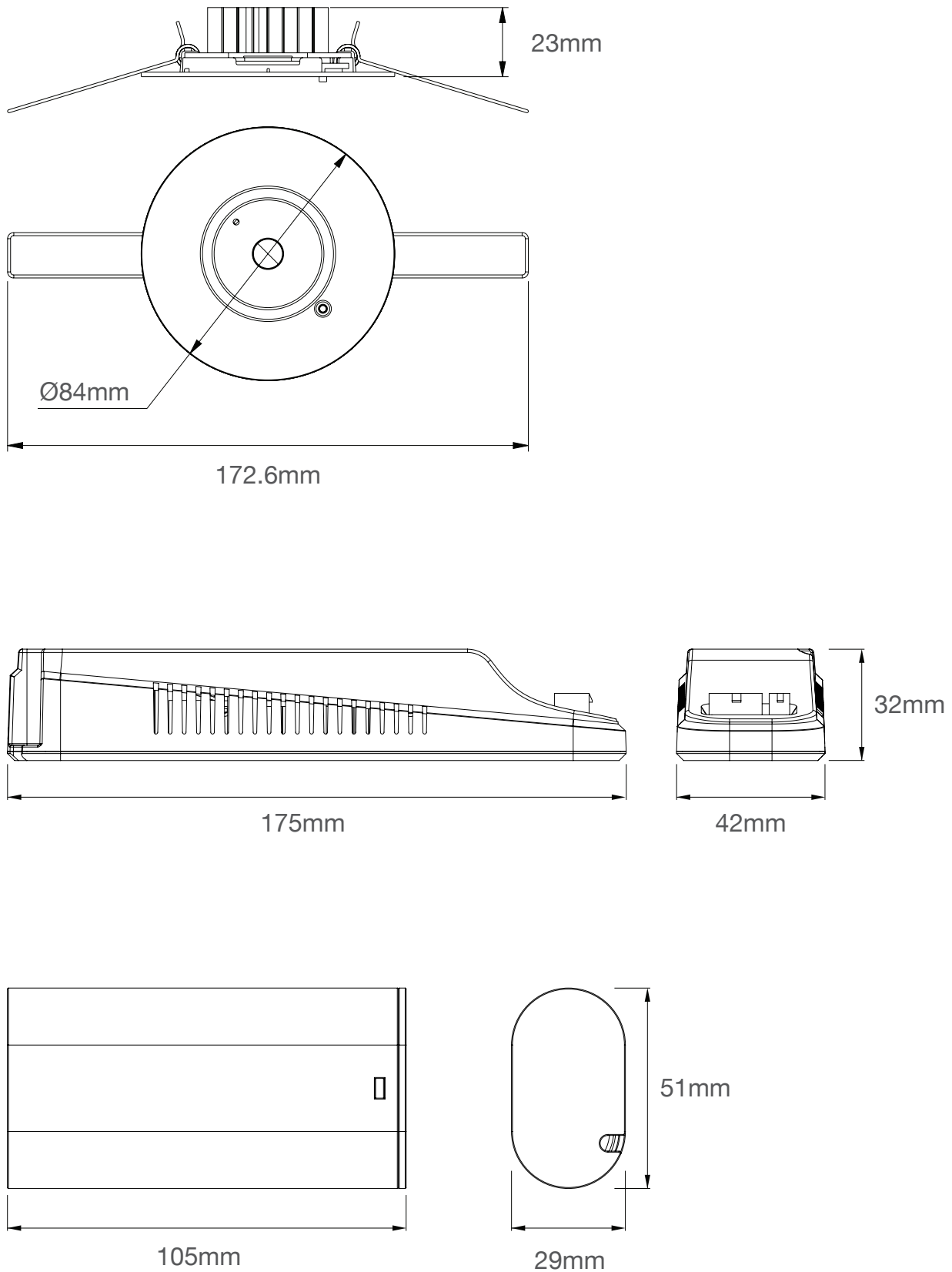
©2023 TRAXON TECHNOLOGIES. ALL RIGHTS RESERVED

www.traxon-ecue.com

2 of 4

LUXPOINT® Emergency Downlight - Werner

Dimension (Unit: mm)



V1.0 09/23- Official authorized licensee of the OSRAM trademark.

Specifications are subject to change without notice. Errors and omission excepted, always make sure to use the most recent release.

©2023 TRAXON TECHNOLOGIES. ALL RIGHTS RESERVED

www.traxon-ecue.com

LUXPOINT® Emergency Downlight - Werner

Ordering codes

Fixture

Short Text	lumen	Duration	Control	Beam Angle	Item code	EAN-13
LP DL 70 865 SY 1 ST RD	70 lm	1 HR	Self test	Symmetric	GL23100168055	4897135732137
LP DL 70 865 AY 1 ST RD	70 lm	1 HR	Self test	Asymmetric	GL23100168155	4897135732144
LP DL 70 865 SY 3 ST RD	70 lm	3 HR	Self test	Symmetric	GL23100168255	4897135732151
LP DL 70 865 AY 3 ST RD	70 lm	3 HR	Self test	Asymmetric	GL23100168355	4897135732168
LP DL 100 865 SY 1 ST RD	100 lm	1 HR	Self test	Symmetric	GL23100168455	4897135732175
LP DL 100 865 AY 1 ST RD	100 lm	1 HR	Self test	Asymmetric	GL23100168555	4897135732182
LP DL 100 865 SY 3 ST RD	100 lm	3 HR	Self test	Symmetric	GL23100168655	4897135732199
LP DL 100 865 AY 3 ST RD	100 lm	3 HR	Self test	Asymmetric	GL23100168755	4897135732205
LP DL 150 865 SY 1 ST RD	150 lm	1 HR	Self test	Symmetric	GL23100168855	4897135732212
LP DL 150 865 AY 1 ST RD	150 lm	1 HR	Self test	Asymmetric	GL23100168955	4897135732229
LP DL 150 865 SY 3 ST RD	150 lm	3 HR	Self test	Symmetric	GL23100169055	4897135732236
LP DL 150 865 AY 3 ST RD	150 lm	3 HR	Self test	Asymmetric	GL23100169155	4897135732243
LP DL 200 865 SY 1 ST RD	200 lm	1 HR	Self test	Symmetric	GL23100169255	4897135732250
LP DL 200 865 AY 1 ST RD	200 lm	1 HR	Self test	Asymmetric	GL23100169355	4897135732267
LP DL 200 865 SY 3 ST RD	200 lm	3 HR	Self test	Symmetric	GL23100169455	4897135732274
LP DL 200 865 AY 3 ST RD	200 lm	3 HR	Self test	Asymmetric	GL23100169555	4897135732281
LP DL 300 865 SY 1 ST RD	300 lm	1 HR	Self test	Symmetric	GL23100169655	4897135732298
LP DL 300 865 AY 1 ST RD	300 lm	1 HR	Self test	Asymmetric	GL23100169755	4897135732304
LP DL 300 865 SY 3 ST RD	300 lm	3 HR	Self test	Symmetric	GL23100169855	4897135732311
LP DL 300 865 AY 3 ST RD	300 lm	3 HR	Self test	Asymmetric	GL23100169955	4897135732328
LP DL 400 865 SY 1 ST RD	400 lm	1 HR	Self test	Symmetric	GL23100170055	4897135732335
LP DL 400 865 AY 1 ST RD	400 lm	1 HR	Self test	Asymmetric	GL23100170155	4897135732342
LP DL 400 865 SY 3 ST RD	400 lm	3 HR	Self test	Symmetric	GL23100170255	4897135732359
LP DL 400 865 AY 3 ST RD	400 lm	3 HR	Self test	Asymmetric	GL23100170355	4897135732366



TRAXON | e2cue
MEMBER OF PROSPERITY GROUP

OSRAM