



LUXPOINT® LED Highbay - Herbert Datasheet



The Herbert series LED Highbay lights is energy-efficient, long-lasting illumination solutions designed for high-ceiling industrial and commercial spaces. The well-designed die-casting aluminum heat sink with high-efficiency lens achieve a perfect balance between convenience and practicality. With long life time ranges to 80,000 hours, The Herbert series LED Highbay lights also substantially reduce maintenance requirements, ensuring long-lasting, reliable illumination.

Benefits

- High efficiency
- Compact size and easy installation
- High protection rating
- Versatility of Size
- Wide Range of Application
- Power switchable (High / Mid / Low)

Applications

- Workshops, assembly lines
- Warehouse, logistics
- Industrial and commercial halls
- Public areas (airports, stations, stadiums)
- Auxiliary rooms, car parks

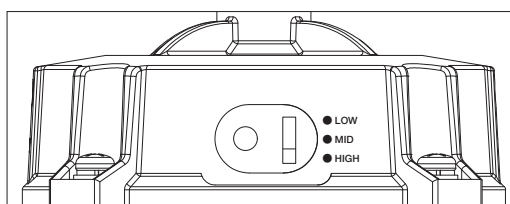
LUXPOINT® LED Highbay - Herbert

Technical Data

Optical Specifications

Wattage		94W	150W	200W
Luminous Flux @CCT	3000K	14000lm	21000lm	28000lm
	4000K	15000lm	22500lm	30000lm
	6500K	15000lm	22500lm	30000lm
Total luminous flux of contained light sources @CCT	3000K	14500lm	22000lm	29000lm
	4000K	15500lm	23500lm	31000lm
	6500K	15500lm	23500lm	31000lm
Luminaire Efficacy	3000K	150lm/W	140lm/W	140lm/W
	4000K	160lm/W	150lm/W	150lm/W
	6500K	160lm/W	150lm/W	150lm/W
Flickering metric (Pst LM)		<1		
Stroboscope effect metric (SVM)		<0.4		
CRI		≥80		
SDCM		< 5		
Beam Angle		60° / 90° / 120°		
Photobiological safety group acc. To EN62778		RG0		
Photobiological safety group acc. To EN62471		RG0		
Dimmable		0 - 10V Dim		

Power Switching



HIGH (Default)

Wattage		94W	150W	200W
Luminous Flux @CCT	3000K	14000lm	21000lm	28000lm
	4000K	15000lm	22500lm	30000lm
	6500K	15000lm	22500lm	30000lm
Luminaire Efficacy	3000K	150lm/W	140lm/W	140lm/W
	4000K	160lm/W	150lm/W	150lm/W
	6500K	160lm/W	150lm/W	150lm/W

MID

Wattage		85W	120W	160W
Luminous Flux @CCT	3000K	12750lm	18000lm	24000lm
	4000K	13600lm	18600lm	24800lm
	6500K	13600lm	18600lm	24800lm
Luminaire Efficacy	3000K	150lm/W	150lm/W	150lm/W
	4000K	160lm/W	155lm/W	155lm/W
	6500K	160lm/W	155lm/W	155lm/W

LOW

Wattage		70W	90W	120W
Luminous Flux @CCT	3000K	10850lm	13950lm	18600lm
	4000K	11500lm	14400lm	19200lm
	6500K	11500lm	14400lm	19200lm
Luminaire Efficacy	3000K	155lm/W	155lm/W	155lm/W
	4000K	165lm/W	160lm/W	160lm/W
	6500K	165lm/W	160lm/W	160lm/W

LUXPOINT® LED Highbay - Herbert

Technical Data

Electrical and Mechanical Specifications

Input Voltage	100-240V~ 50/60Hz		
Nominal Current	450mA	690mA	920mA
Inrush current	60A	61A	68A
Inrush current time Th50	111µs	157µs	213µs
Power Factor	0.95	0.9	0.9
Max. number of luminaires per miniature circuit breaker	B16	18	15
	C10	12	9
	C16	18	15
Total Harmonic Distortion	<15%		
Surge Protection	L-N: 6kV, L/N-PE: 6kV		
Protection class	Class I		
Dimensions	L 128mm	L 153mm	L 185.5mm
	W 120.4mm	W 144mm	W 168mm
	H 31mm	H 31.2mm	H 32mm
Weight	1527g	1909g	2304g
Housing	Die-cast aluminum		
Diffuser	Polycarbonate (PC)		
Replaceable light source	No		
Replaceable Control gear	No		
Glow wire test according to IEC60695-2-12	650°C		

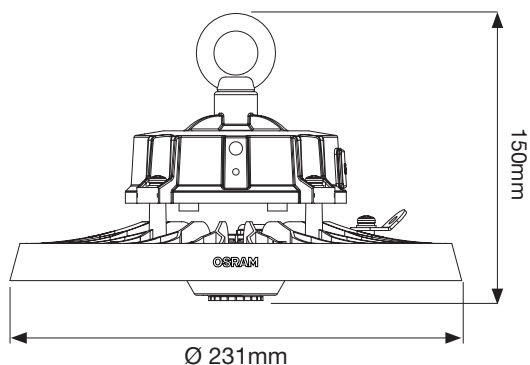
System Specifications

Power	AC mains
Operating Temperature	-10°C ~ 45°C
Storage Temperature	-20°C ~ 60°C
Lifespan L70/B50 at 45°C	50,000 hours
Lifespan L70/B50 at 25°C	80,000 hours
Lifespan L80/B10 at 45°C	30,000 hours
Lifespan L80/B10 at 25°C	50,000 hours
Number of switching cycles	50,000
Environment	Indoor
Ingress Protection	IP65
Impact Resistance	IK08
Safety Approval	CE, RoHS
Mercury content	0.0mg
Warranty	5 years

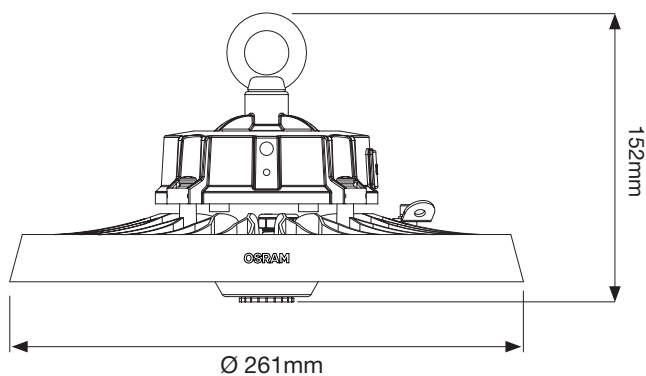
LUXPOINT® LED Highbay - Herbert

Dimension

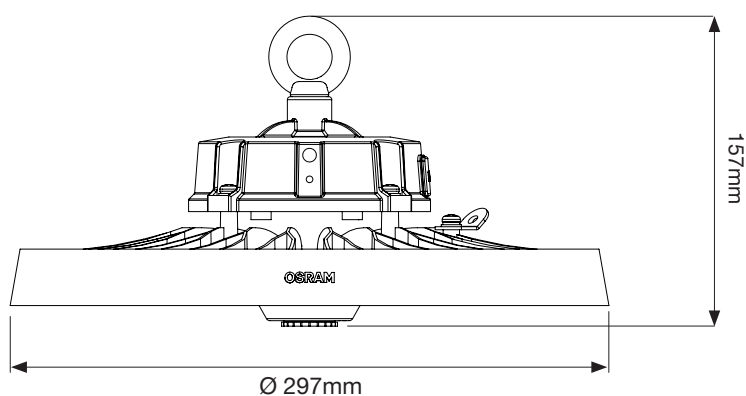
94W



150W



200W



Due to the special conditions of manufacturing process of LED, the typical data of technical parameters can only reflect statistical figures and do not necessarily correspond to the actual parameters of each single product which could differ from typical data.

Exceeding maximum ratings for operation voltage will cause hazardous overload and will likely destroy the LED module.

Exceeding maximum ratings for operation and storage temperature will reduce expected life time or destroy the LED module.

V1.0 09/23- Official authorized licensee of the OSRAM trademark.

Specifications are subject to change without notice. Errors and omission excepted, always make sure to use the most recent release.

LUXPOINT® LED Highbay - Herbert

Ordering codes

Fixture

Short Text	Wattage	CCT	Fixture Lumen	Light Source Lumen	Beam angle	Item code	EAN-13
LP HB MINI 94W 830 60 DIM	94W	3000K	14000lm	14500lm	60°	GL24100852155	4897135733646
LP HB MINI 94W 840 60 DIM	94W	4000K	15000lm	15500lm	60°	GL24100852255	4897135733653
LP HB MINI 94W 865 60 DIM	94W	6500K	15000lm	15500lm	60°	GL24100852355	4897135733660
LP HB MINI 94W 830 90 DIM	94W	3000K	14000lm	14500lm	90°	GL24100852455	4897135733677
LP HB MINI 94W 840 90 DIM	94W	4000K	15000lm	15500lm	90°	GL24100852555	4897135733684
LP HB MINI 94W 865 90 DIM	94W	6500K	15000lm	15500lm	90°	GL24100852655	4897135733691
LP HB MINI 94W 830 120 DIM	94W	3000K	14000lm	14500lm	120°	GL24100852755	4897135733707
LP HB MINI 94W 840 120 DIM	94W	4000K	15000lm	15500lm	120°	GL24100852855	4897135733714
LP HB MINI 94W 865 120 DIM	94W	6500K	15000lm	15500lm	120°	GL24100852955	4897135733721
LP HB MIDI 150W 830 60 DIM	150W	3000K	21000lm	22000lm	60°	GL24100853055	4897135733738
LP HB MIDI 150W 840 60 DIM	150W	4000K	22500lm	23500lm	60°	GL24100853155	4897135733745
LP HB MIDI 150W 865 60 DIM	150W	6500K	22500lm	23500lm	60°	GL24100853255	4897135733752
LP HB MIDI 150W 830 90 DIM	150W	3000K	21000lm	22000lm	90°	GL24100853355	4897135733769
LP HB MIDI 150W 840 90 DIM	150W	4000K	22500lm	23500lm	90°	GL24100853455	4897135733776
LP HB MIDI 150W 865 90 DIM	150W	6500K	22500lm	23500lm	90°	GL24100853555	4897135733783
LP HB MIDI 150W 830 120 DIM	150W	3000K	21000lm	22000lm	120°	GL24100853655	4897135733790
LP HB MIDI 150W 840 120 DIM	150W	4000K	22500lm	23500lm	120°	GL24100853755	4897135733806
LP HB MIDI 150W 865 120 DIM	150W	6500K	22500lm	23500lm	120°	GL24100853855	4897135733813
LP HB MAXI 200W 830 60 DIM	200W	3000K	28000lm	29000lm	60°	GL24100853955	4897135733820
LP HB MAXI 200W 840 60 DIM	200W	4000K	30000lm	31000lm	60°	GL24100854055	4897135733837
LP HB MAXI 200W 865 60 DIM	200W	6500K	30000lm	31000lm	60°	GL24100854155	4897135733844
LP HB MAXI 200W 830 90 DIM	200W	3000K	28000lm	29000lm	90°	GL24100854255	4897135733851
LP HB MAXI 200W 840 90 DIM	200W	4000K	30000lm	31000lm	90°	GL24100854355	4897135733868
LP HB MAXI 200W 865 90 DIM	200W	6500K	30000lm	31000lm	90°	GL24100854455	4897135733875
LP HB MAXI 200W 830 120 DIM	200W	3000K	28000lm	29000lm	120°	GL24100854555	4897135733882
LP HB MAXI 200W 840 120 DIM	200W	4000K	30000lm	31000lm	120°	GL24100854655	4897135733899
LP HB MAXI 200W 865 120 DIM	200W	6500K	30000lm	31000lm	120°	GL24100854755	4897135733905

